

# Non contact coded safety switches - Non stand-alone operation

## ANATOM 78S and 98S

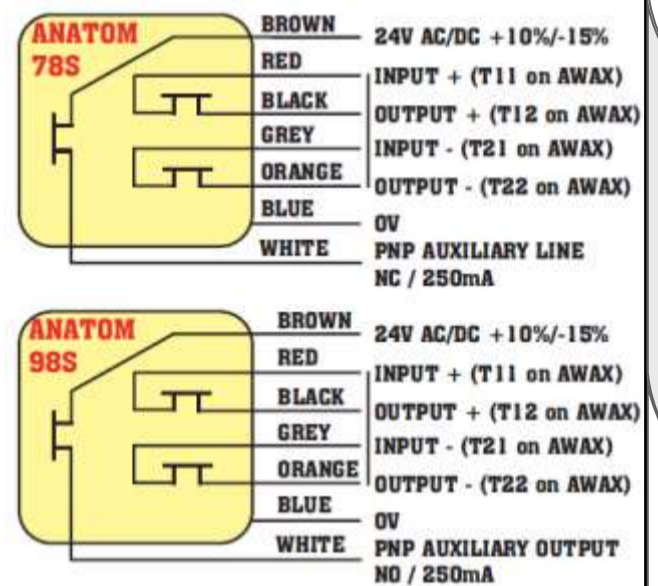
- Decoding by „ACOTOM<sup>®</sup>2 Process
- LED status display of the correct code recognition
- Auxiliary output for automation control or light
- Static outputs
- Large switching distance



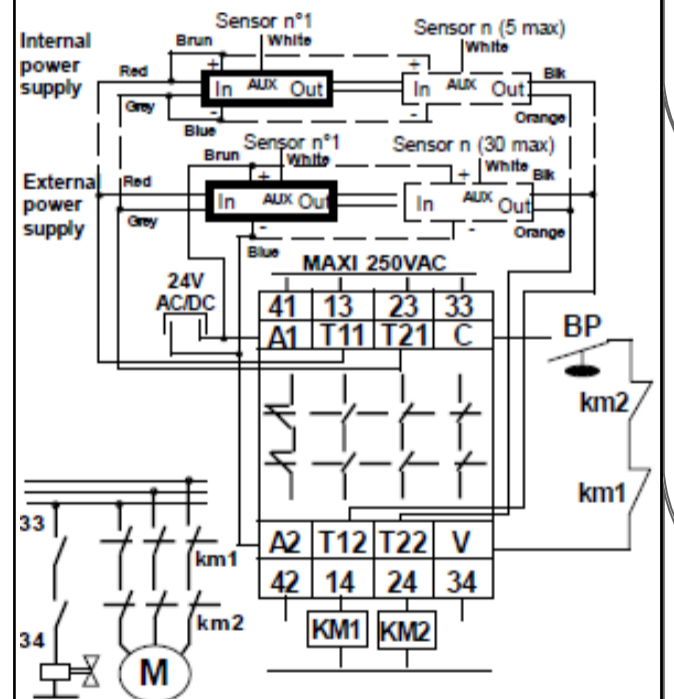
### Technical datas

Switching distance Sn (closing):	10 mm
Switching distance Sn (opening):	± 7mm,
Hysteresis/Misalignment:	+ 2mm
Power supply:	24V AC/DC; -15% / +10%, 50/60 Hz
Current consumption:	30 mA/DC; 70 mA/AC
Safety outputs:	2 static outputs ;24V DC/800mA @ 25°C
Auxiliary output:	1 PNP/NO, 250mA (78S); 1 PNP/NC,250mA (98S)
Coding principle	ACOTOM <sup>®</sup> 2
Temperature operation:	-20°C to +60°C
Max. switching frequency:	10 ms
Resistance to vibration:	30 g / 11 ms
Shock stress	10-55 Hz, 1,5 mm
Protection class:	IP67
MTTFd/DC	335 years / 99%
Housing:	STAR2E, yellow
Connection:	Cable 8-pin, 3/6/12 m
Standards:	EN60947-5-3, EN954-1, EN13849-1, EN55022, EN61000-6-2; 01/2006; EN61000-6-4; 03/2007
Electromagnetic immunity :	Acc. to IEC 61000-6-2, acc. to IEC 61000-6-4
Weight Emitter/Receiver:	80g /100g
<b>Safety classification:</b>	
Acc. to EN ISO 13849-1	1 switch up to PLe cat.4
Certification:	Serie wiring possible with 30 switches on a safety relay, up to PLe cat.3 CE, TÜV, UL/CSA

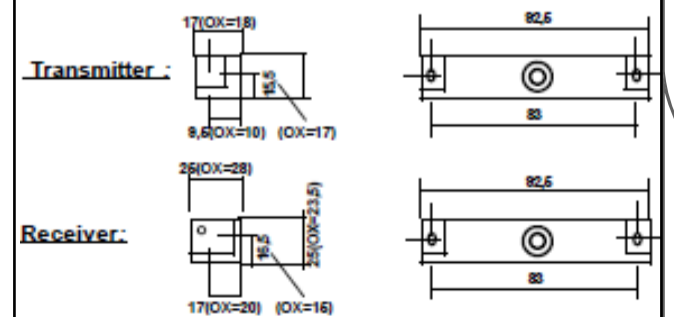
### Wiring diagram



### Application exemple



### Dimensions



<b>Ordering-Nr.</b>	ANATOM78S/3m ANATOM78S/6m ANATOM78S/12m	ANATOM98S/3m ANATOM98S/6m ANATOM98S/12m
---------------------	---	---